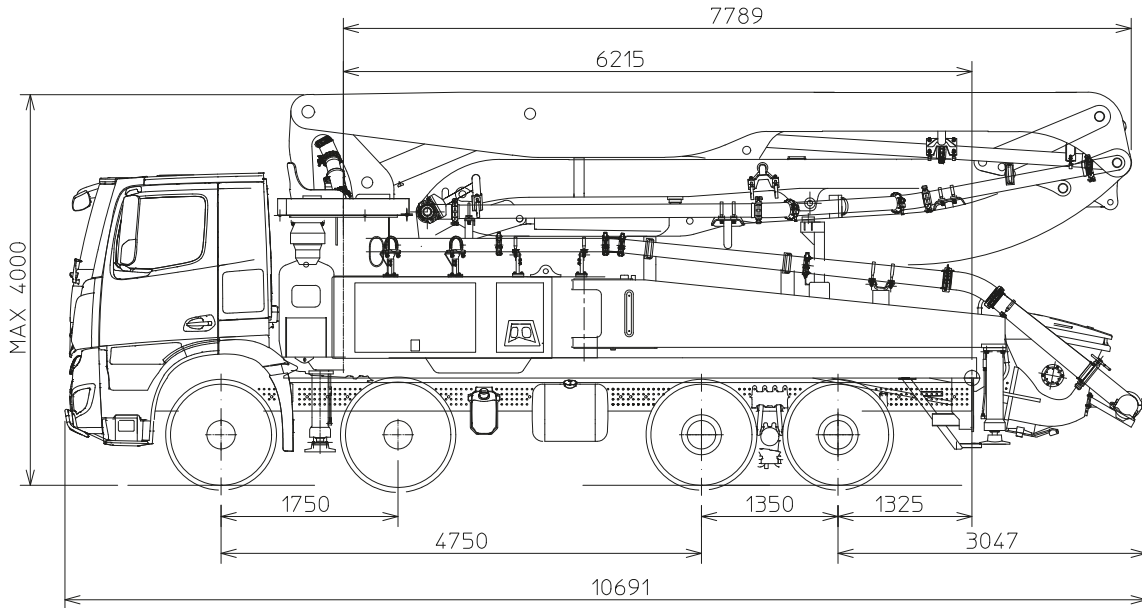


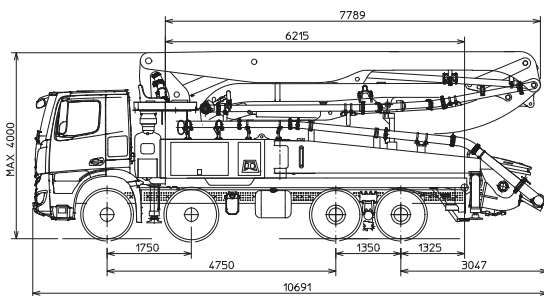
Easy to use
High-efficiency pumping unit
5-section boom

TRUCK-MOUNTED CONCRETE BOOM PUMP

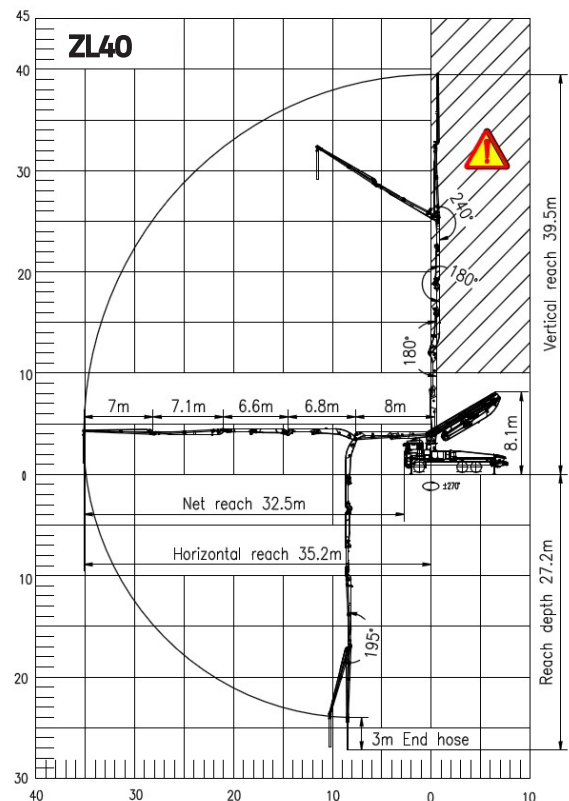
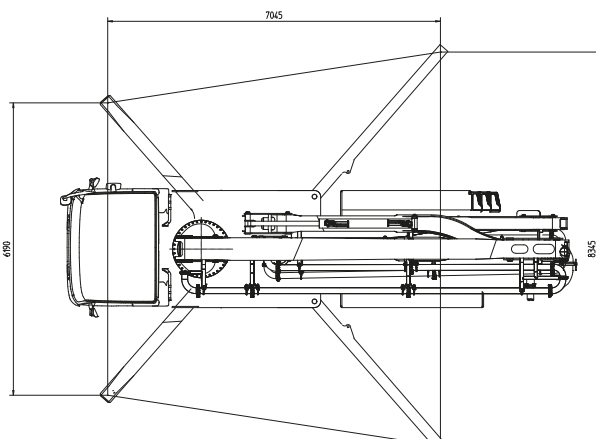
Placing boom	ZL40
Pumping unit	1607
Driven by	Truck PTO or Gear box
Chassis	4 axles



Dimensions



Dimensions varying according to truck assembly



Standard equipment

Placing boom 5RZ 40/36 with 5 sections, "RZ" folding system
 Concrete delivery pipes: Double layer type, inner layer 63HRC
 Two proportional radio remotes, 3 joysticks
 Concrete hopper with agitator
 Vibrator on hopper grid
 Centralized lubrication system for pumping unit
 Wear components: S-valve, wear plate and cutting ring with hard-carbide inserts. Delivery cylinders: chrome-plated
 7" colour LCD machine-management display
 ZLSC Zoomlion Stability Control
 Water tank 600 l
 Water pump (60 bar - 15 l/min)
 Side marker lights
 4x support plates and casing
 Rear steps, left and right side
 Handrail on rear steps
 Horn on the boom
 Closed boom warning device
 Painting: Zoomlion 3-colors
 EU road approval kit (sidebars, rear protection)
 CE certification & documentation
 2 Use & Maintenance manuals

Main Parameters

Pumping unit

Model		1607
Maximum theoretical output	m ³ /h	160
Maximum pressure on concrete	bar	70
Concrete cylinders (diam. x stroke)	mm	230x2100
Concrete hopper capacity	l	550
Hydraulic circuit		Open

Boom

Model		5RZ 40/36
Pipeline diameter	mm	125
Maximum vertical reach	m	39.5
Maximum horizontal distance (from center of slewing axis)	m	35.2
Minimum unfolding height	m	8.1
Number of sections	No.	5
1 st section opening angle	°	90
2 nd section opening angle	°	180°
3 rd section opening angle	°	180°
4 th section opening angle	°	240°
5 th section opening angle	°	195°
Rotating angle	°	+/-270
End hose length	m	3

Technical data and characteristics subject to modifications without notice